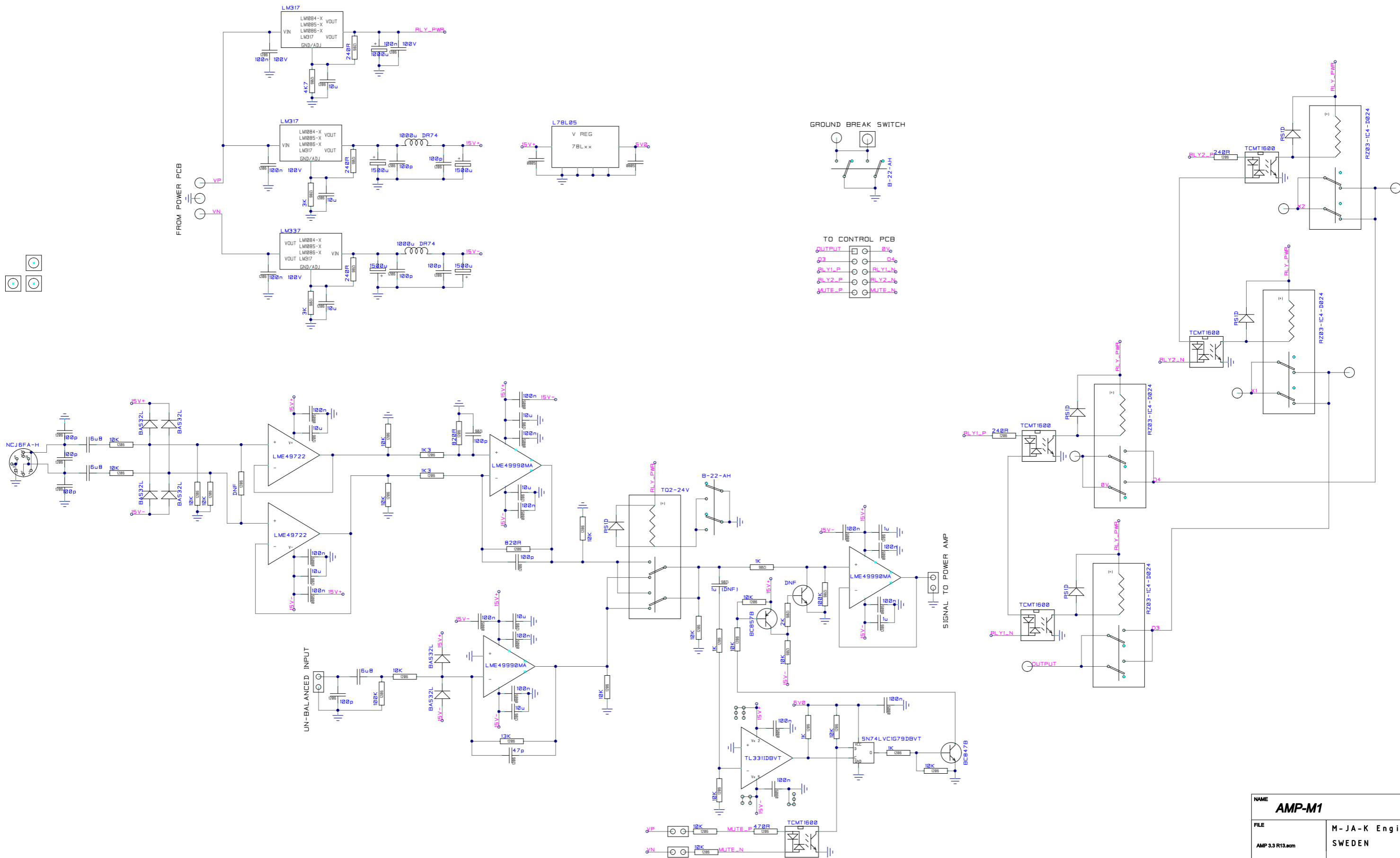
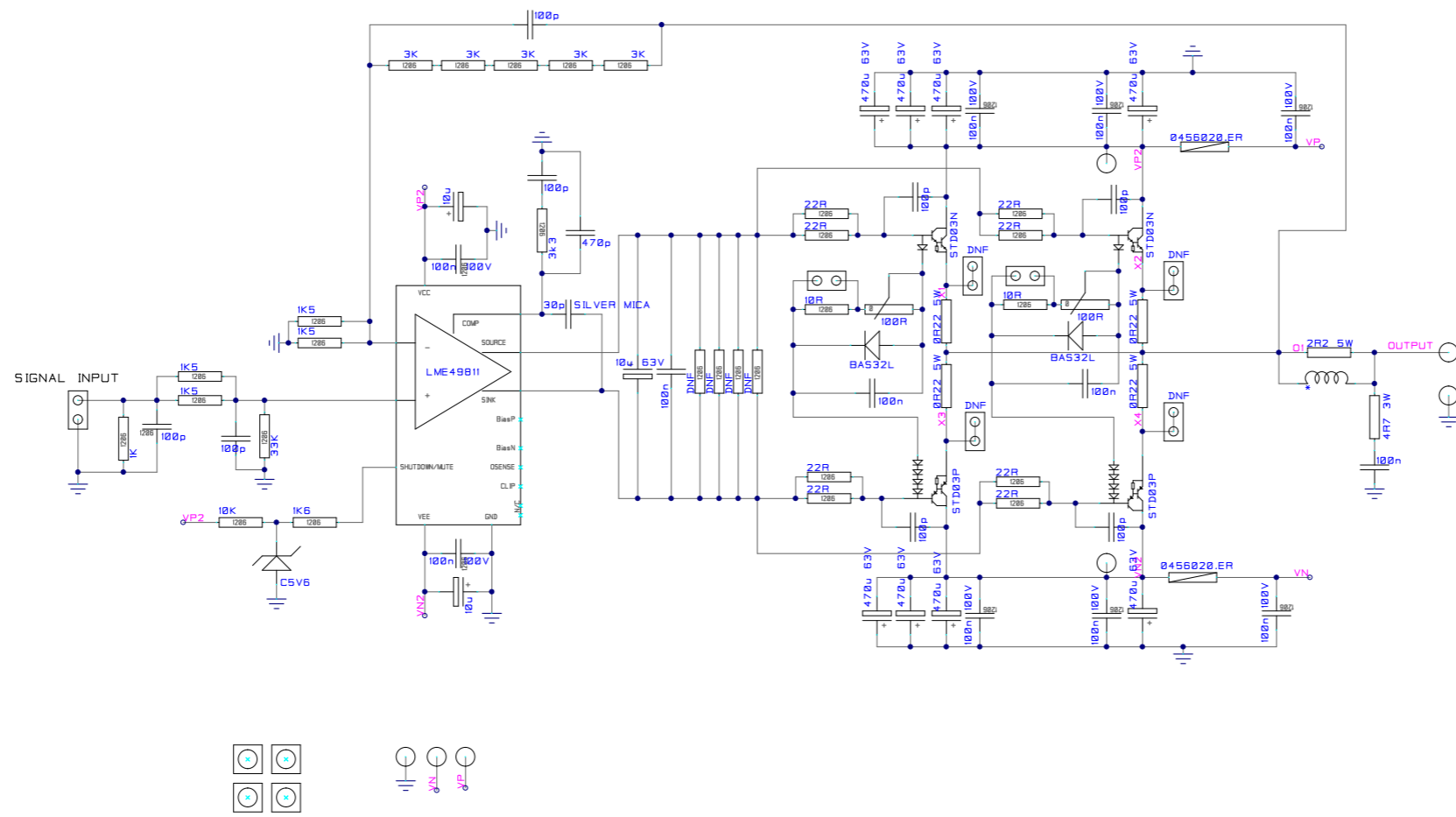


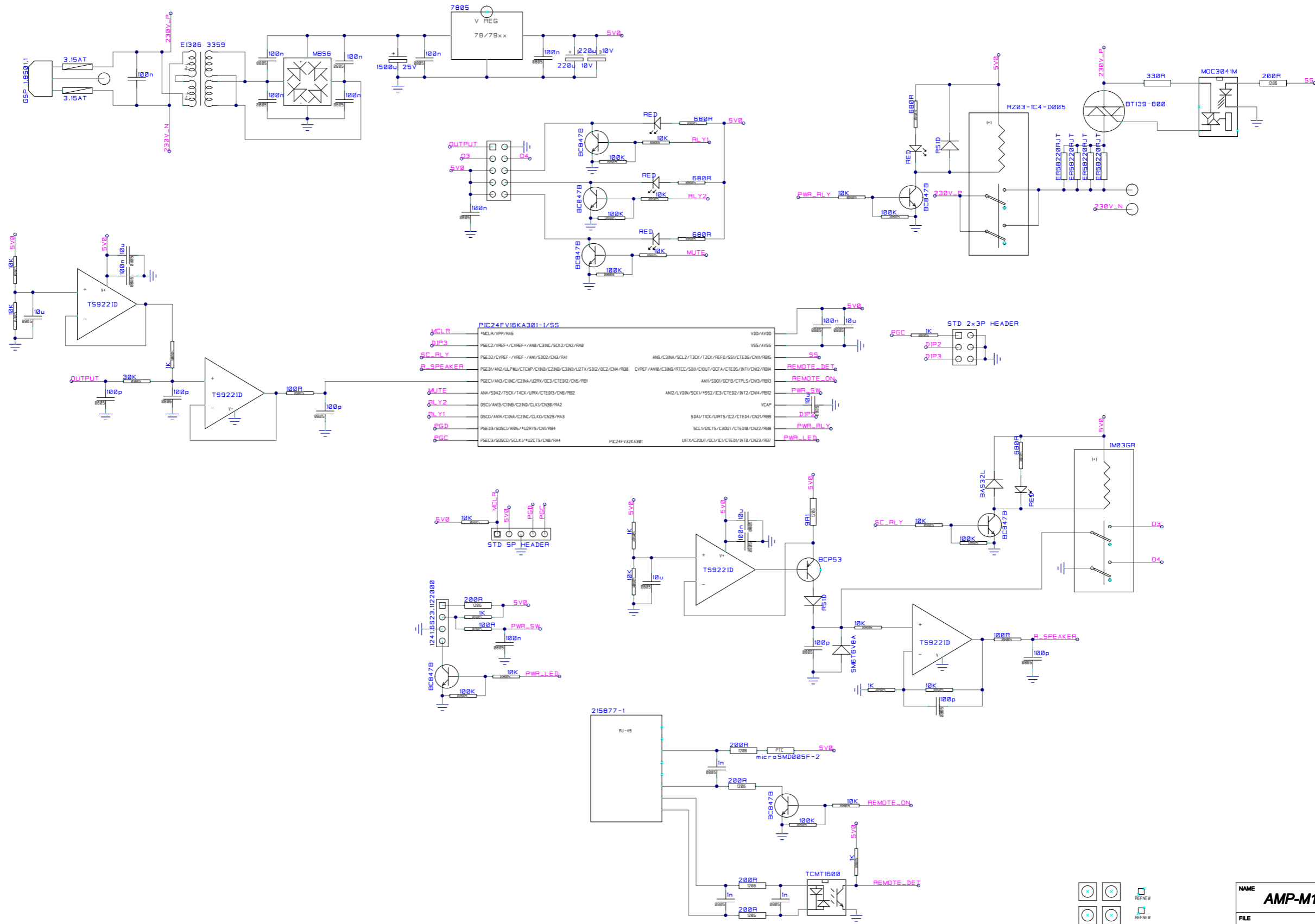
NAME <b>AMP-M1</b>					
FILE AMP 3.3 R13.acm		M - J A - K Engineering AB SWEDEN			
DRAWN MK	SIZE	FSCM NO.	DWG NO.	REV	3.3
ISSUED 2016-02-28	SCALE			SHEET	1 (4)



NAME <b>AMP-M1</b>				
FILE AMP 3.3 R13.asm	M-JA-K Engineering AB SWEDEN			
DRAWN MK	SIZE	FSCM NO.	DWG NO.	REV 3.3
ISSUED 2016-02-28	SCALE			SHEET 2 (4)



NAME <b>AMP-M1</b>				
FILE AMP.3.3 R13.acm		M-JA-K Engineering AB SWEDEN		
DRAWN MK	SIZE	FSCM NO.	DWG NO.	REV 3.3
ISSUED 2016-02-28	SCALE			SHEET 3 (4)



NAME <b>AMP-M1</b>				
FILE AMP 3.3 R13.scm	M-JA-K Engineering AB SWEDEN			
DRAWN MK	SIZE	FSCM NO.	DWG NO.	REV 3.3
ISSUED 2016-02-28	SCALE			SHEET 4 (4)